

# MANUAL & MECHANICAL VALVES

## MECHANICAL 3/2 WAY VALVES

### Specification

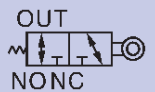
Model	ZMCR	ZMCJ	ZMCP
Fluid	Air (to be filtered by 40µm filter element)		
Operating	External Control Direct Acting Type		
Port <sup>1</sup>	1/8"		
Valve Type	3/2		
Lubrication <sup>2</sup>	Not Required		
Pressure Range	-0.1-1.0MPa (-15-114psi)		
Proof Pressure	1.5MPa (215psi)		
Temperature	-20 to +70°C		
Material of Body	Aluminium Alloy		

<sup>1</sup> G thread as standard, PT thread, NPT threads are available on request.

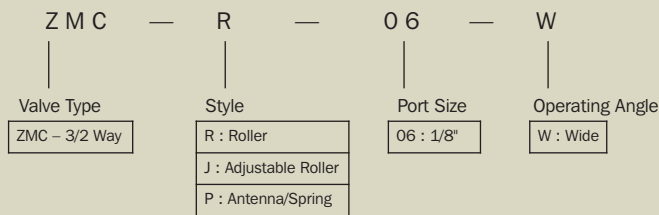
<sup>2</sup> If using lubricants the practice must remain constant for the life of the valve. Lubricants like ISO VG32 or equivalent are recommended.



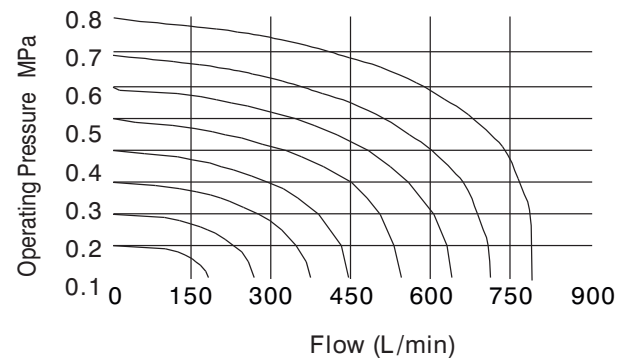
### Symbols



### Ordering Code

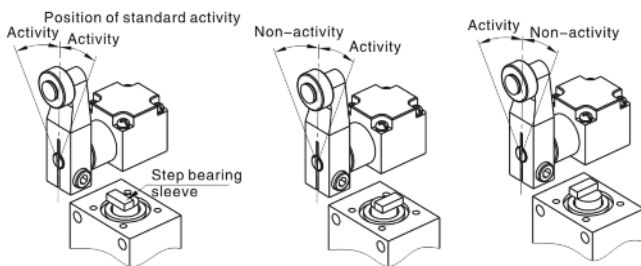


### Flow Chart

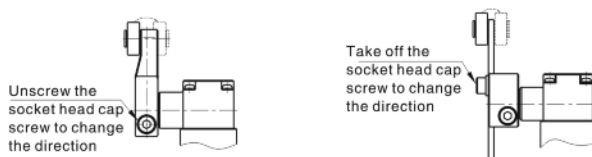


### Product Features

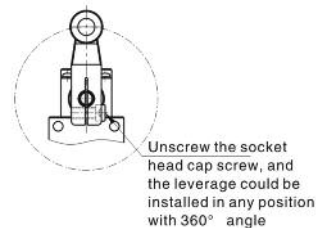
1 The activity direction can be changed.



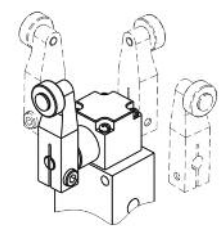
2 The rolling wheel can be installed at the inside of leverage.



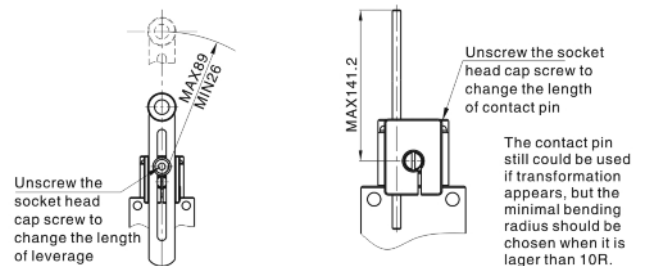
3 Installation position of leverage can be changed.



4 Direction of head part can be changed.



5 Length of contact pin can be changed.

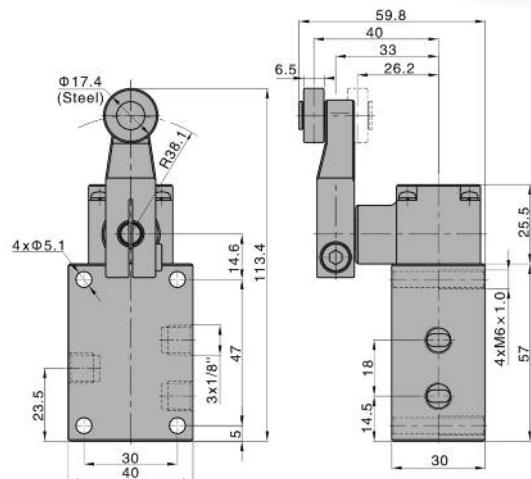


# MANUAL & MECHANICAL VALVES

## MECHANICAL 3/2 WAY VALVES

### Dimensions

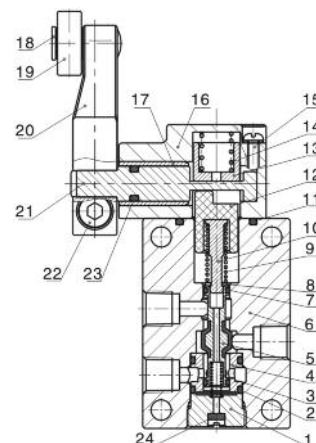
#### Roller/Spring, BSPP



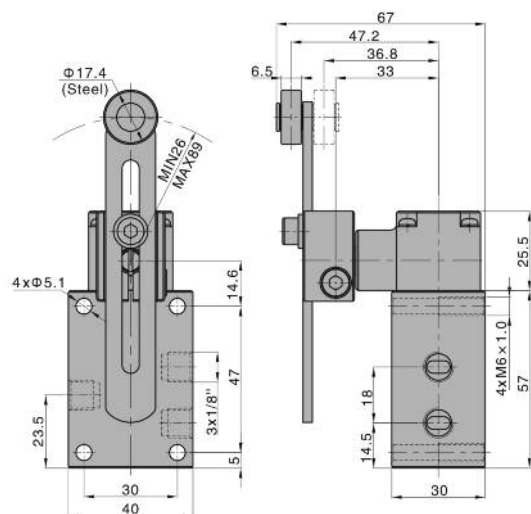
Item/Model	ZMCR-06-W
F.O.F.	20N
P.T.	25°
O.T.	50°
T.T.	75°

### Inner Structure

No.	Item	No.	Item
1	Bottom Cover	13	Spring Holder
2	O-ring	14	Spring
3	Spring	15	Screw
4	Spacer	16	Front Cover
5	Spool	17	Bush
6	Body	18	Shaft
7	O-ring	19	Roller
8	Spring Washer	20	Rocker Arm
9	Spring	21	Rotation Axis
10	Man Drill	22	Screw
11	O-ring	23	O-ring
12	Bush	24	Silencer



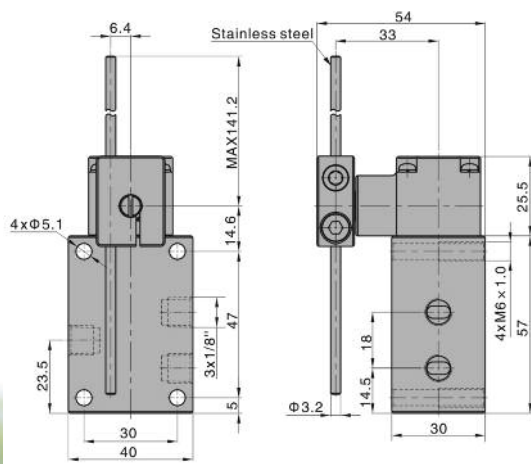
#### Adjustable Roller/Spring, BSPP



Item/Model	ZMCJ-06-W
F.O.F.*	20N
P.T.	25°
O.T.	50°
T.T.	75°

\*When the length of leverage is 38.1mm

#### Antenna/Spring, BSPP



Item/Model	ZMCP-06-W
F.O.F.*	2.3N
P.T.	25°
O.T.	50°
T.T.	75°

\*When the length of leverage is 141.2mm